

## INSTALLATION INSTRUCTIONS FOR DCP-SOM-R SUPERVISED OUTPUT MODULE RELEASE

The information contained in this installation instruction is a quick reference guide. For detailed system information refer to the panel manufacturer's installation manual (PN#1700-09948 and Version 1.88). This instruction will not address specific programming procedures.

### GENERAL DESCRIPTION

This instruction applies to the DCP Supervised Output Module (SOM-R) which is to be connected to a DCP Signaling Line Circuit (SLC). Typical applications are supervised 24VDC to output to operate a pre-action valve such as is used in a single interlock pre-action fire sprinkler system. The output circuit provides supervision for open and short circuit conditions.

### MOUNTING REQUIREMENTS

The DCP Supervised Output module is mounted as shown in Figure 2 on page 2 of this instruction.

### WIRING

**NOTE:** All wiring must conform to local codes, ordinances and regulations.

- 1) Install module wiring in accordance with the job drawings and appropriate wiring diagram (see Fig.3).
- 2) Secure the module to a U.L. listed electrical box (supplied by installer), as shown in Figure 2.
- 3) Address must be set before cover plate is attached (see Figure 1).

**NOTE:** An average of 6.75mA (communication current) per loop of SLC devices, must be factored into the panel battery backup calculations.

**CAUTION !!!**  
TO ENSURE PROPER OPERATION CONNECT THIS MODULE TO A COMPATIBLE FIRE CONTROL PANEL ONLY. REFER TO PANEL INSTRUCTIONS FOR PROPER CONNECTION AND COMPATIBILITY.

**CAUTION !!!**  
If this module will be installed in an existing operational system, inform the operator and local authority that the system will be temporarily out of service. Disconnect power to the control panel before installing the module.

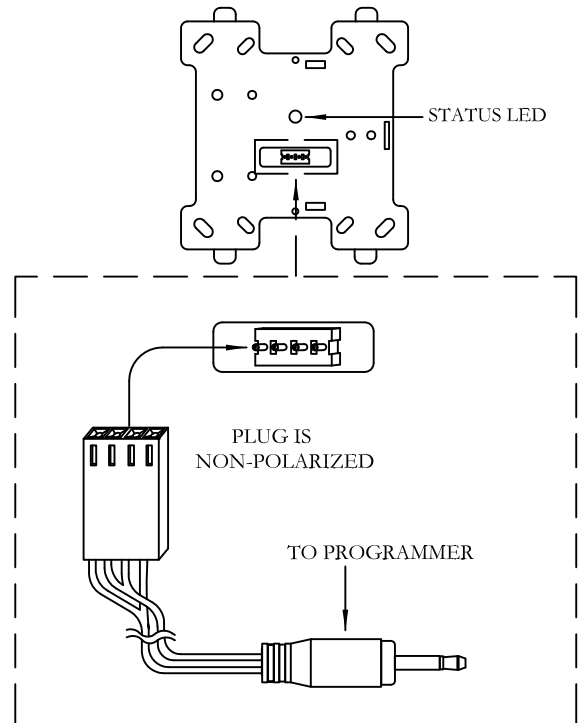


FIGURE 1.  
EXPLODED VIEW OF ADDRESS PROGRAMMING PLUG AND CONNECTOR

## SPECIFICATIONS

SLC Applied Voltage	Rated Range 25.3 – 39 VDC
SLC Current Consumption	Maximum 161µA    Nominal 154µA
Auxiliary Applied Voltage	Nominal 24VDC
24VDC Auxiliary Current Consumption	1.15mA
Maximum Output Current (OUT+ / OUT-)	2A @ 24VDC Power Factor 0.6
EOL Device for OUT+ & OUT-	HOCHIKI AMERICA CORP. EOL Part # 0400-02590 10KΩ, 1/4W, & 1N5817
EOL Device for IN-A & IN-B	HOCHIKI AMERICA CORP. EOL Part # 0400-01046 10KΩ (FRCME)
Visual Indicator (Status LED)	bi-color LED – Green & Red Color & Mode – Selected and Programmed by Control Panel's software
Operating Temperature Range	0°C (32°F) ~ 49°C (120°F)
Storage Temperature Range	-30°C (-22°F) ~ 70°C (158°F)
Maximum Relative Humidity	Up to 90% RH non-condensing
Environment	Indoor dry use only

Continued on back

## SPECIFICATIONS

Compatible Solenoids	ASCO: 8210G207
	Parker/Skinner: 73218BN4UMLVNO111C2
Solenoid Current Consumption	Maximum: 443mA
24VDC AUX Line Impedance	Maximum: 7.5Ω (From Power Supply to SOM-R)
	Maximum: 10Ω (From SOM-R to Solenoid)
PreAction Period	5 Mintues of Alarm
EOL Device for OUT+ & OUT-	HOCHIKI AMERICA CORP. EOL Part No. 0400-02590 10KΩ, 1/4W, & 1N5817
SOM-R Dimensions	4.2"W X 4.7"H X 1.4"D
Disable Switch Dimensions	4.2"W X 4.7"H X 1.4"D
Weight	Approximately 3.0 ounces (SOM-R)
	Approximately 1.5 ounces (SOM-R-DS)

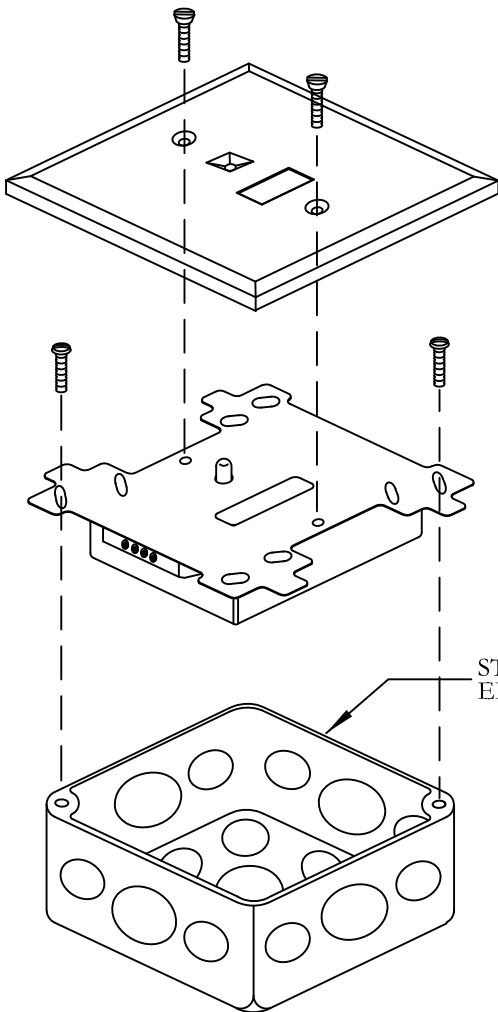


FIGURE 2

MOUNTING SOM-R AND FRCME MODULES

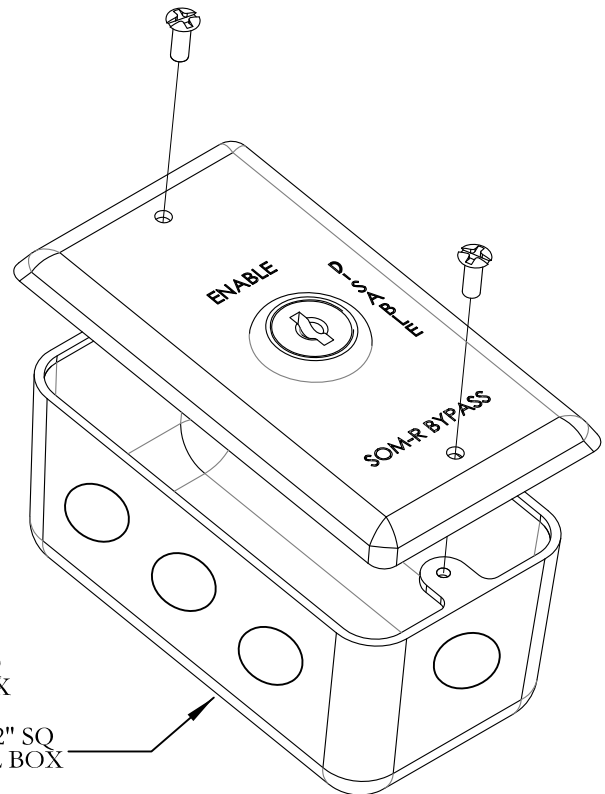


FIGURE 3

MOUNTING SOM-R-DS

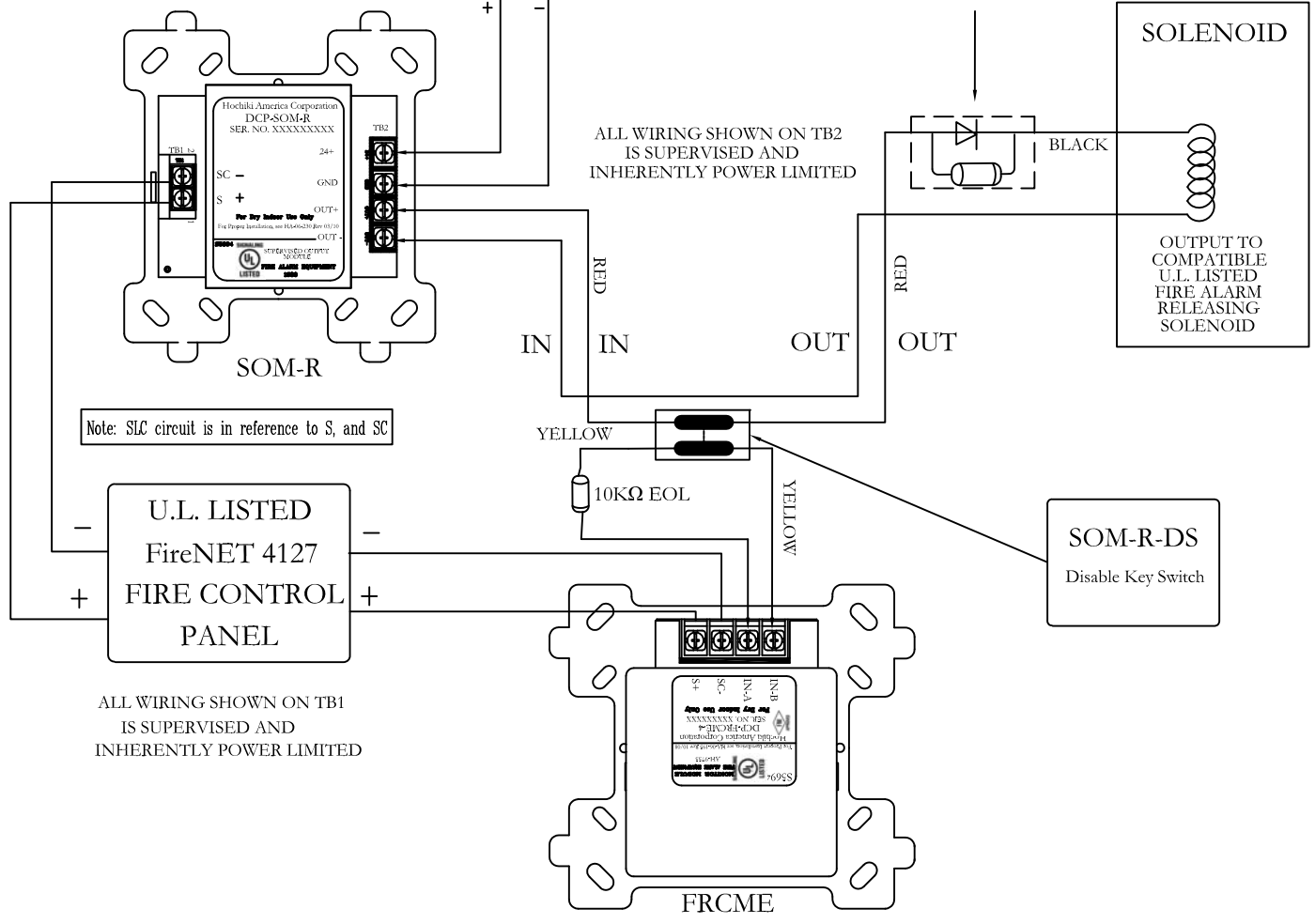
STANDARD 4" SQ  
ELECTRICAL BOX

STANDARD 2" SQ  
ELECTRICAL BOX

**NOTE:** Only the same size wire from 12 to 22 AWG may be connected to terminal block TB1 and TB2 when more than one conductor is being connected under each terminal. Maximum of 2 conductor per terminal.

U.L. LISTED 1481 24VDC REGULATED, POWER LIMITED SUPPLY FOR FIRE PROTECTION. REFER TO CONTROL PANEL MANUFACTURER'S INSTALLATION INSTRUCTIONS.

HOCHIKI AMERICA CORP.  
E.O.L. DEVICE  
PART NUMBER  
0400-02590



ALL WIRING SHOWN ON TB2 IS SUPERVISED AND INHERENTLY POWER LIMITED

Note: SLC circuit is in reference to S, and SC

ALL WIRING SHOWN ON TB1 IS SUPERVISED AND INHERENTLY POWER LIMITED

FIGURE 4  
WIRING DIAGRAM

**WARNING!!!**  
USE ONLY FPL, FPLR, OR FPLP WIRING IN ACCORDANCE WITH ARTICLE 760 OF THE NATIONAL ELECTRICAL CODE.

## One Year Limited Warranty

Hochiki America (HA) warrants its digital communication modules to be in conformance with its own plans and specifications and to be free from defects in materials and workmanship under normal use and service for a period of one (1) year from date of delivery. All warranties are void and HA is not obligated to repair or replace equipment which has been repaired by others, abused, improperly installed, altered or otherwise misused or damaged or exposed to conditions outside the products specifications in any way. HA will not be responsible for any dismantling, reassembling or re-installation charges. Please contact HA's Sales department for proper procedure for claims and return of merchandise. This warranty is in lieu of all other warranties expressed or implied.